

Figure 6-119 Solid model for Exercise 2

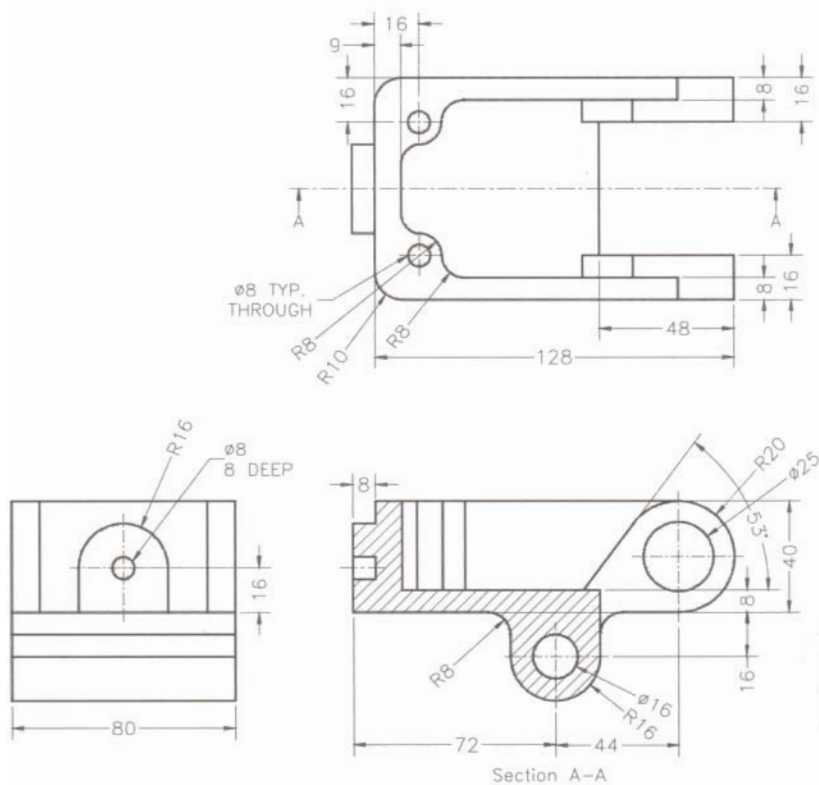


Figure 6-120 Views and dimension of the model for Exercise 2