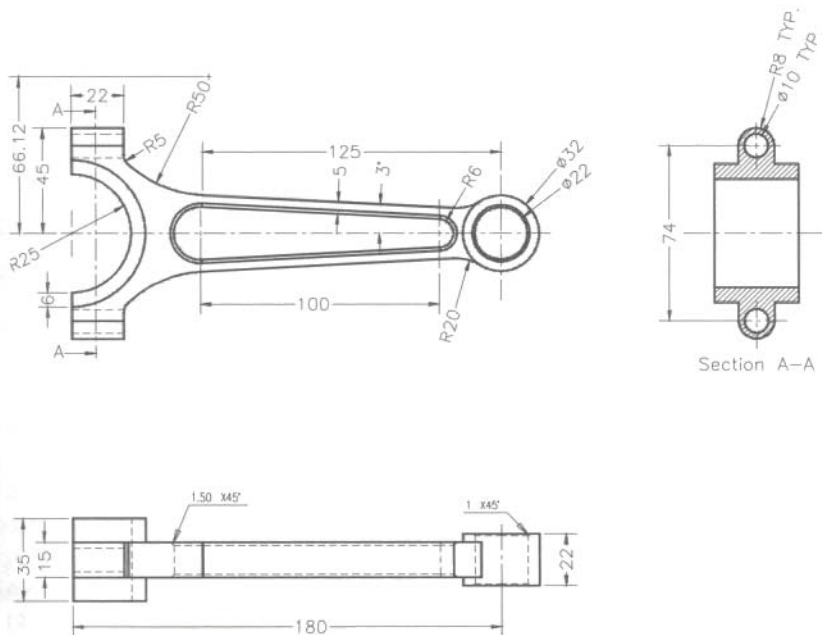


*Figure 6-117 Solid model for Exercise 1*



*Figure 6-118 Views and dimensions of the model for Exercise 1*