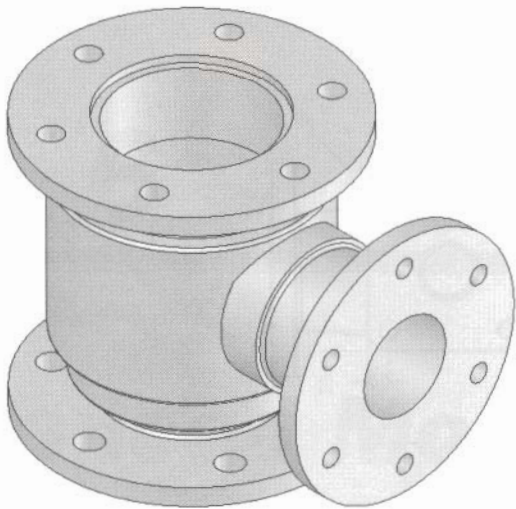


**Figure 5-118** Dimensions of the model for Exercise 1



*Figure 5-119 Model for Exercise 1*