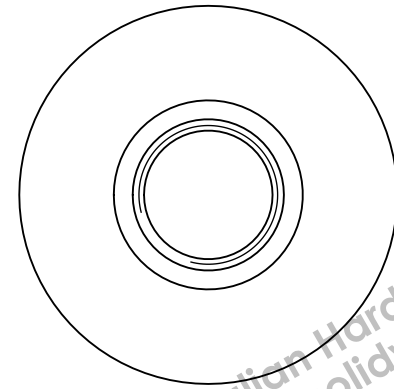
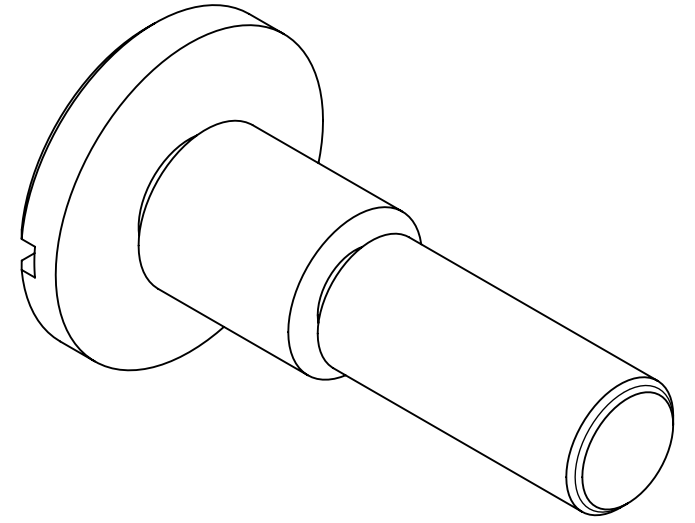
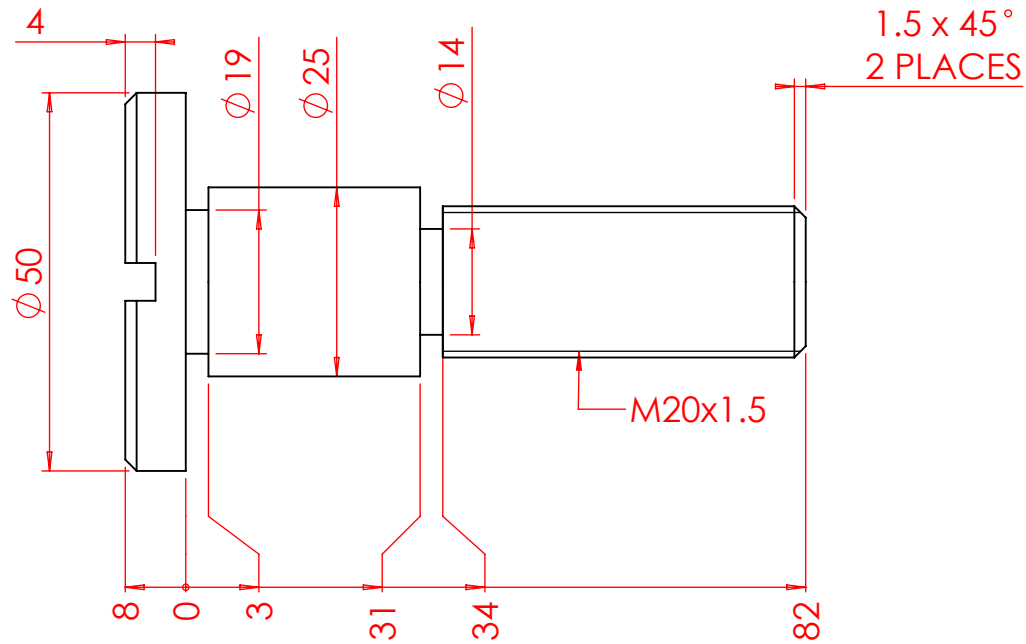
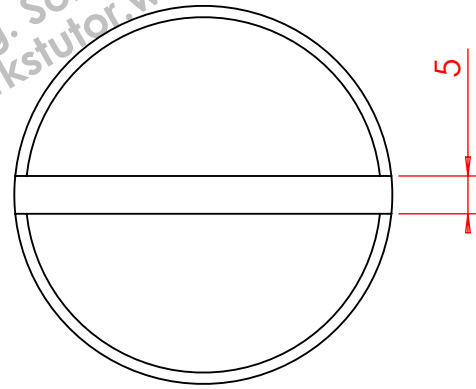


Julian Harding. Solidworks Tutor.
www.solidworkstutor.weebly.com



Julian Harding. Solidworks Tutor.
www.solidworkstutor.weebly.com